



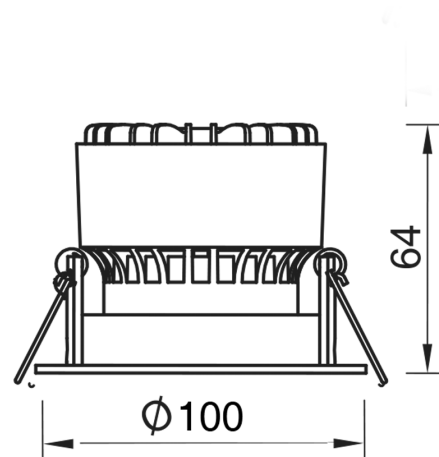
134C Series

Product Specifications

Luminaire efficacy	92 lm/W
SKU	VBLDL-134-1-C
Product Series	VBLDL-134C-SERIES
EAN	9340994017853
Wattage	12 W
Lumen output	1000 lm
IP rating	20
CRI	80
Beam Angle	60 Degrees
Trim colour	White
Cut out	90 mm
Diameter	100 mm
Height	64 mm
Lifespan	50000 Hours
Warranty	3 Years
Accessories	Available in 3000K (1000lm) and 4000K (1150lm)
Lamp Type	LED
LED source	PHILIPS
Weatherproof	Indoor use only
Input voltage	220V-265V AC 50hz
Working temperature	-20°C ~ 45°C



Dimensional Drawings



Photometric information available upon request.